

# STOCKMAN 70-225

## TOUGH DIESEL GENERATOR



### Specifications

Please Note: Specifications are subject to change without notice

Model	Stockman 70	Stockman 100	Stockman 120	Stockman 150	Stockman 200	Stockman 225
Continuous Output	7kVA, 5.6kW	10kVA, 8 kW	12 kVA, 9.6kW	15kVA, 12kW	20kVA, 16kW	22.5kVA, 18kW
Starting Output	Up to 15kVA	Up to 30kVA	Up to 30kVA	Up to 30kVA	Up to 60kVA	Up to 60kVA
Current @ 0.8pf	10A/Phase	14A/Phase	17A/Phase	21A/Phase	28A/Phase	32A/Phase
Voltage	240/415V Three Phase 4 Wire or Optional Single Phase					
Power Outlets	1x 20A 5 Pin & 1x 15A GPO, RCBO Protection, IP66 Rated			1x 32A 5 Pin & 1x 15A GPO, RCBO Protection, IP66 Rated		
Engine Make	Yanmar					
Engine Model	3TNV70-GGE	3TNV76-GGE	3TNV82A-GGE	3TNV88-GGE	4TNV88-GGE	4TNV84T-GGE
Engine RPM	1500 rpm					
Fuel Type	Automotive Diesel, Up to 5% Bio Diesel Compatible					
Fuel Consumption	1.35 L/hr	1.95 L/hr	2.20 L/hr	2.65 L/hr	3.38 L/hr	3.80 L/hr
Fuel Tank Capacity	40 Litres, Optional 200L or 400L underbase					
Noise (Enclosed)	66 dBA Full Load @ 7 Metres					
Cooling	Water-Cooled Radiator with Cooling Fan					
Oil Type	15W40 API:CJ4/ACEA:E9 in -15°C to +50°C conditions					
Coolant Type	33% Glycol AS:2108-2004 Type A in -15°C to +50°C conditions					
Service Intervals	250 Hours					
Alternator Model	RF4-10	RF4-20	RF4-20	RF4-20	RF4-30	RF4-30
Alternator Type	4 Pole, Permanent Magnet Radial Flux					
Voltage Control	Inherent, Non-Electronic (Self Regulating, No AVR Required), Accuracy: Within 3% ±					
Alternator Efficiency	92.5%	93.9%	93.9%	93.9%	94.1%	94.1%
Alternator Rating	10 kVA	20kVA	20kVA	20kVA	30kVA	30kVA
Controller	Eniquest PM330 with 2-Wire Remote Start and Full Engine Protection, Optional Key Start with Oil Pressure Shutdown					
Dimensions	1425 L x 667 W x 886 H					
Weight (Enclosed)	376kg	409kg	415kg	435kg	471kg	476kg
Warranty	2 Year, 2000 Hour Warranty					

# STOCKMAN 70-225

## TOUGH DIESEL GENERATOR

ISO 9001 CERTIFIED



### Applications:

- Agricultural
- Bore Pumping
- Commercial
- Household Back-Up
- General Use
- Food Truck/Vans
- Market Stalls
- Site Power
- Backup Communications
- Mining
- Trailer Mounted Power
- Solar
- Specialised Power
- And More!

### Select Your Options:

- Single Phase Power
- 200L or 400L Underbase Fuel Tank
- Key Start with Low Oil Pressure Shutdown
- Super Silent Muffler
- Semi-Enclosed
- Emergency Stop Button (E-Stop)
- Start Battery Isolator
- 24 Hour Countdown Timer Shutdown
- 7-Day Programmable Start/Stop Timer
- Lockable Doors
- Additional Outlets
- Terminal Studs (Hardwire Application)
- Auxiliary Battery Charger
- Galvanised Base Frame

## Worlds Best Mid-Size Diesel Generator

Extremely Compact | Clean Power | Highly Efficient | Better Motor Starting  
Specially developed for Agricultural pumping irrigation and reliable support power



Discover more and find your local dealer at  
[www.powerequipment.com.au](http://www.powerequipment.com.au)  
or call 1800 069 469



# STOCKMAN 70-225 TOUGH DIESEL GENERATOR



The Stockman diesel generator is world leading when it comes to providing efficient power for the agriculture sector and support power. It has the ability to deliver high starting power for motors and handle unbalanced loads. Designed and manufactured here in Australia, we recognize the need for extremely reliable power supply that can outlast the extreme weather that Australia throws at us. Features a highly economical Engine & Alternator combo, 2 Wire Remote Start, IP66 Rated Outlets with RCD protection and more. Plus a huge range of optional extras available. Backed by our generous 2 Year, 2000 Hour warranty.



“At Eniquest, we believe that any diesel generator needs to be as reliable and durable to suit our harsh environment. The Stockman range is all of this and more”

### Made in Australia, For Australia

We design, engineer and manufacture all our generators here in Queensland to suit harsh Australian conditions.

### New Age Alternator- No Electronics!

Using a permanent magnet alternator that does not require an AVR, a common failpoint on generators.

### Powered by Yanmar

Very economical and virtually bulletproof engines, the worlds most reliable brand was the only choice to use.

### Aluminium Panels

Lightweight aluminium panels are used to prevent rust, absorb noise and handle extreme heat.

### High Quality Outlets & RCD Protection

Fitted with a Single Phase and a Three Phase Outlet with lockable RCD protection housed in IP66 rated covers.



[How to use Stockman with PM330 Controller Video](#)



Optional 200L Tank & Terminal Outlets Shown



[How to use Stockman with Key Start Video](#)

### Simple Yet Powerful Controller

We have developed our own controller that can handle the harsh environment and uses no power in Standby mode.

### Zinc-Rich Primed Base Frame

The base frame is primed with a zinc rich coating, then powdercoated. It provides protections similar to galvanizing.

### Uses Less Fuel Than Others

With the efficiencies from the alternator, we harness all the engines power with minimal loss, ultimately using less fuel.

### Forklift Pockets

Convenient forklift pockets located on the base frame for ease of movement, or you can use the lifting lugs from the roof.

### Simple Maintenance

All general service components are accessed to one side, with intervals every 12 months or 250 hours.



## ENCLOSED & SILENCED

The Stockman range comes standard in a fully enclosed configuration. Made with lightweight aluminum panels, studio quality sound insulation panels and protected against the elements. It traps in the noise well and when optioned with the super silent muffler, the neighbours will never know its even on.

## SEMI-ENCLOSED

If you prefer a more naked approach, then the Semi- Enclosed option is for you. Still retaining the roof and some side panelling, it allows for ease of maintenance and a cool running engine. Typically used for pumping and irrigation where noise is not a concern.

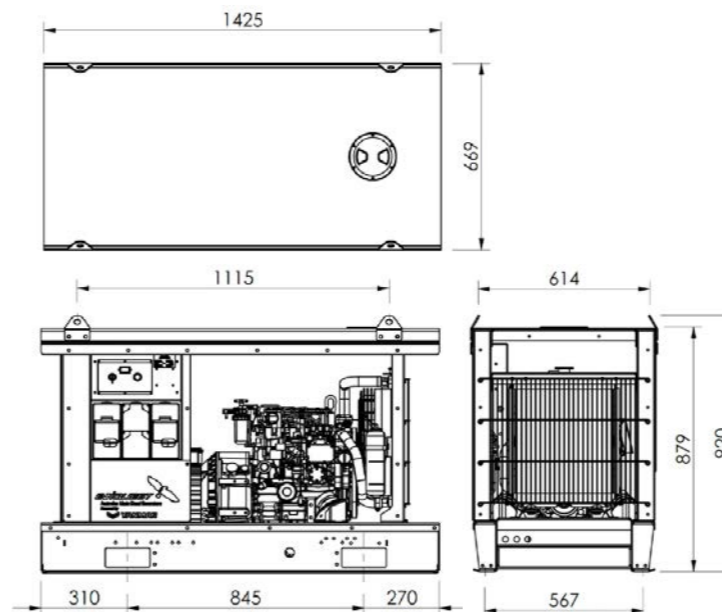


### WHO ARE WE?

Eniquest, formally known as Watts2C, have been in the industry for decades. We have provided custom generators for all types of clients around the globe including military, agriculture and emergency services. We are well known for our ability to manufacture high quality, reliable power solutions, and continue to develop the best Australian Made Generators on the market.

### PM330 Controller

We see so many controllers fail in our market due to their inability to survive in our tough Australian Conditions. So we developed our own controller that manages the generator, provides fault codes and shutdowns but built to meet Military Standards. A simple to use design, conformal coated single board electronics with LED displays. The best part about the controller is that it uses absolutely no power when in Standby mode, and it's Made in Australia.



### Permanent Magnet Alternator

The use of the permanent magnet alternator is game changing. Its self regulating characteristics negates the need for electronics controlling voltages- a common fail point. It also uses 30% less raw materials to manufacture and better for the environment. These alternators achieve THD levels less than 3% and can handle both Single & Three phase loads simultaneously, something a conventional alternator can't do. Its also up to 20% more efficient than a typical alternator.

