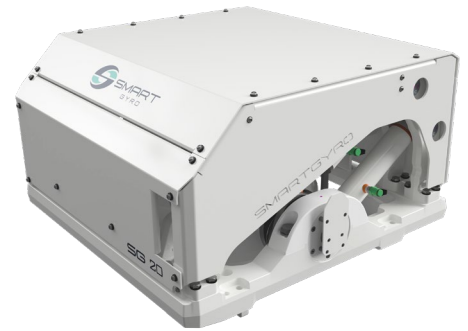


SG20 GYRO STABILIZER

Smartgyro SG20 is the gyro stabilizer of choice for boats from 45-55 ft. Ideal for both new builds and refit installations, the stabilizer can be fully serviced on-board the vessel without the need to lift out for maintenance, ensuring significant time and cost savings.



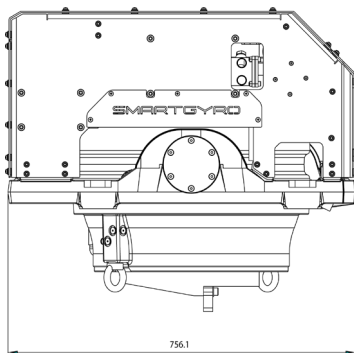
TECHNICAL SPECIFICATIONS

| | | | |
|---|--|-------------------------------------|--|
| Maximum Rated speed | 9.500 RPM | Operating AC power | 1.5 - 2.5 kW * |
| Angular momentum at max. rated speed | 5.900 Nms | DC power ("Spool-up" and operating) | 150 W (including display) |
| Anti-rolling torque at max. rated speed | 15.500 Nm | Sea water supply | 15 (min) - 30 (max) LPM [4 (min) - 8 (max) GPM] |
| "Spool-up" time to max. rated speed | 55 minutes | Operating temperature | 0 - 60 °C [32 - 140 °F] |
| "Spool-up" time to stabilization | 25 minutes (65% of rated speed) | Envelope dimensions | 0.76 x 0.77 x 0.65 m [29.9 x 30.3x 25.6 in] |
| Input voltage (AC) | 115V nominal 50/60 Hz, single phase 220V nominal 50/60 Hz, single phase | Weight | 495 kg [1091 lbs] |
| Input voltage (DC): | 12 Vdc | Noise output | 70 - 72 dBC @ 1 meter |
| "Spool-up" AC power | 2.5 - 3.0 kW | | |

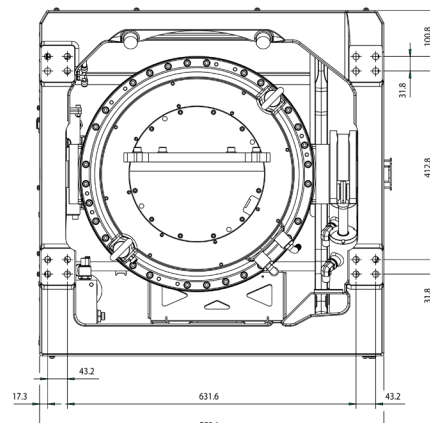
*sea state dependent

NOTE: All data subject to change without notice. Text and illustrations are not binding.

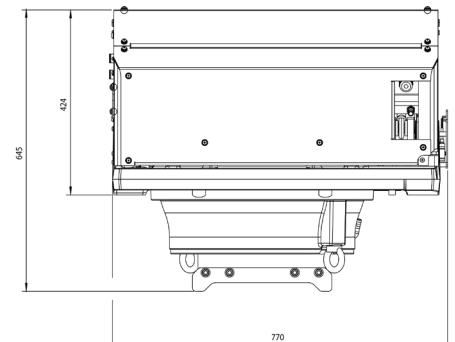
PORT VIEW



TOP VIEW



FRONT VIEW



Dimensions in mm